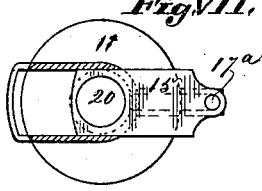
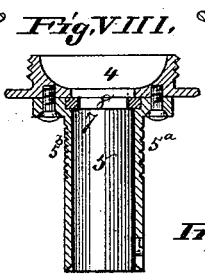
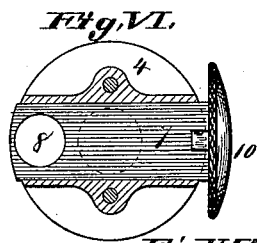
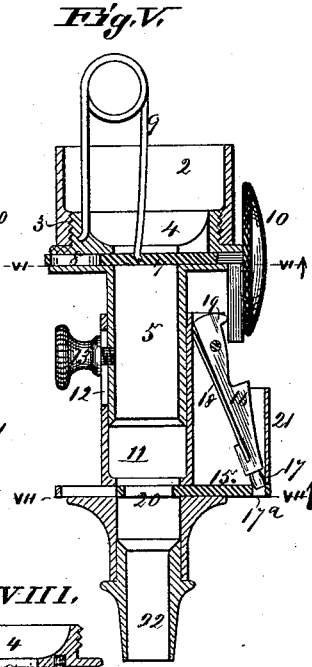
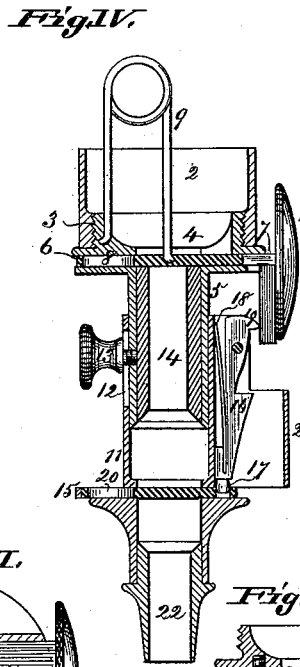
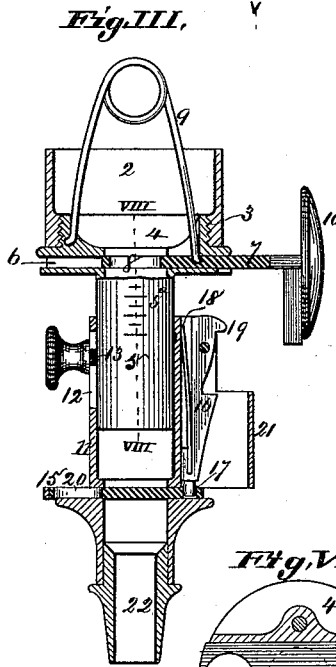
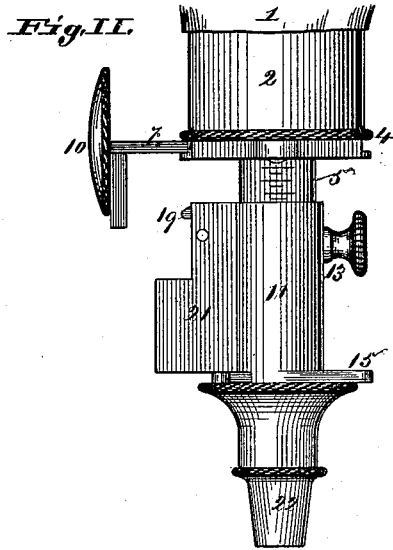
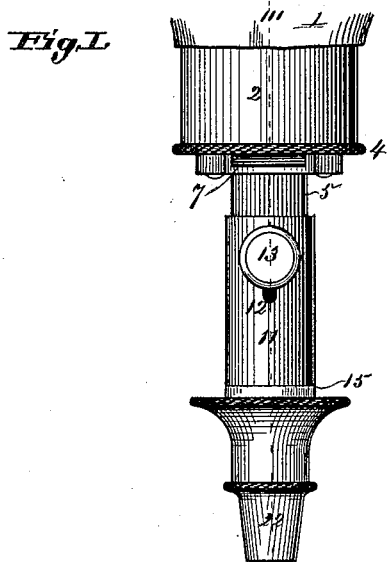


(No Model.)

D. WIGET.
AMMUNITION CHARGER.

No. 466,209.

Patented Dec. 29, 1891.



Attest:
E. Arthur
S. H. Knight

Inventor:
Dominic Wiget.
By Knight Bro.
Atty

UNITED STATES PATENT OFFICE.

DOMINIC WIGET, OF ST. LOUIS, MISSOURI.

AMMUNITION-CHARGER.

SPECIFICATION forming part of Letters Patent No. 466,209, dated December 29, 1891.

Application filed October 16, 1890. Serial No. 368,308. (No model.)

To all whom it may concern:

Be it known that I, DOMINIC WIGET, of the city of St. Louis, in the State of Missouri, have invented a certain new and useful Improvement in Ammunition-Chargers, of which the following is a full, clear, and exact description, reference being had to the accompanying drawings, forming part of this specification.

This is an adjustable charger made convertible for use with a shotgun or rifle, and gaging the amount of ammunition accurately by weight. The novel features will be set forth in the claims.

The invention will be described as applied to powder-flasks.

The invention relates wholly to the charger, which may be attached to any suitable receptacle.

Figures I and II are side views of the charger from different sides, with the parts in normal position. Figs. III, IV, and V are longitudinal sections taken at III V, Fig. I, showing the valves in different positions. Fig. VI is a transverse section taken at VI VI, Fig. V. Fig. VII is a transverse section taken at VII VII, Fig. V. Fig. VIII is a detail longitudinal section taken at VIII VIII, Fig. III.

Part of the receptacle or flask is seen at 1, the same having a metal neck 2, with an interior screw-thread 3, to which the collar 4 of the fixed part of the charger is connected by screwing therein. This fixed part has a cylindrical tubular portion 5, and between this and the collar 4 is a diametric mortise 6, in which works a sliding valve 7, having an orifice 8, which is in line with the bore of the tube 5 when the valve is in its normal position, as seen in Fig. III.

9 is a spring tending to keep the valve 7 in its normal position, in which case the orifice 8 is in line with the bore of the tube 5 and the gunpowder has access to the tube from the flask. The valve is pushed into the positions shown in Figs. IV and V by pressure against a knob or button 10.

Telescoped on the tube 5 is a tube 11, which has limited endwise movement thereon to regulate the size of the charger. The tube 11 has a longitudinal slot 12, through which passes a thumb-screw 13, which screws in the tube 5 and which serves to hold the tube 11 to its adjustment.

14 is a tube which is inserted in the tube 5 for reducing the capacity when the charger is used for a rifle, the construction being such that when the tube 14 is out the charger shall be of suitable size for use with a shotgun. Upon the opposite sides of the tube 5 are marked scales 5^a and 5^b, one of which is suited for use when the tube 14 is absent and the other for use when it is present. One of these scales may represent drams and the other grains. The thumb-screw 13 may bear against the removable tube 14 and serve to hold it in place. (See Fig. IV.)

15 is a valve sliding transversely in the tube 11, and which in its normal position (see Figs. III and IV) is closed, so as to prevent the escape of powder from the charger.

16 is a spring-lever whose end 17 enters a recess 17^a in the valve, so that the movement of the lever causes the movement of the valve.

18 is a spring tending to hold the lever and valve in their normal position, as seen in Figs. IV and V.

19 is a heel upon the lever, with which the knob or button 10 comes in contact as it nears its inner position, and carries the lever and valve into the position shown in Fig. V, when the valve-orifice 20 is in line with the bore of the tube 11, so as to allow the escape of powder from the charger. The lever 16 works in a casing 21.

22 is a removable nozzle by which the vent is reduced to suit it to a rifle.

The operation is as follows: When used with a rifle, the tube 14 is present, as seen in Fig. IV, and when with a shotgun the tube 14 is absent, as seen in Fig. V. The charger is held vent down, with the nozzle in the vent of the gun, the parts being in the position shown in Fig. III. The valve 7 is pushed in by pressure against the knob 10. This first closes the valve 7, as seen in Fig. IV, and then opens the valve 15, as seen in Fig. V, and the powder escapes into the gun. On allowing the valve 7 to move outward the valve 15 closes before the valve 7 opens, so that there is no escape of the powder from the charger until the knob 10 is again forced in.

I claim as my invention—

1. A charger for ammunition-flasks, having two sliding valves, springs throwing the valves into normal position, and an intermediate le-

ver actuated by and independent of the valve nearer the flask and actuating the other valve, substantially as set forth.

2. The combination, in an ammunition-charger, of a measuring-tube, valve 7, spring 9, lever 16, pivoted in a casing 21, adapted to be engaged by valve 7 at one end and arranged independently of said valve, spring 18, and valve 15, engaged by the other end of said lever, substantially as set forth.

3. The combination, in an ammunition-charger, of the tube 5, the tube 11, telescoped and adjustable thereon and having a longitudinal slot 12, a set-screw 13 passing through the slot and screwing in the tube 5, a reducing-tube 14, fitting in the tube 5, and valves 7 and 15, closing the charger near the inner and outer ends, substantially as set forth.

4. The combination, in an ammunition-charger, of the measure having two tubes 5 and 11, telescoped together, a valve 7 between the flask and the measure, the tube 5, having scales 5^a and 5^b and the tube 11, a slot 12, a set-screw 13, passing through the slot and screwing through the tube 5, a valve 15, closing the outer end of the measure, and a spring-lever 16, adapted to receive at one end the impact and arranged independently of a knob upon the valve 7 and acting by its other end on the valve 15, all substantially as set forth.

5. The combination, in an ammunition-charger, of the valves 7 and 15, tube 5, the tube 11, telescoped and sliding thereon, and the removable tube 14, fitting within the tube

5, substantially as and for the purpose set forth.

6. The combination, in an ammunition-charger, of the telescoped valves 7 and 15, tubes 5 and 11, sliding the latter on the former, the scales 5^a 5^b on the tube 5, and the removable tube 14, fitting within the tube 5, substantially as and for the purpose set forth.

7. The combination, in an ammunition-charger, of the valves 7 and 15, tube 5, the tube 11, telescoped and sliding on the tube 5 and slotted longitudinally at 12, a removable reducing-tube 14, and a screw 13, passing through slot 12 and a threaded perforation in the tube 5 and engaging the tube 14 and holding all the parts together, substantially as and for the purpose set forth.

8. The combination, in an ammunition-charger, of the measure having two tubes 5 and 11, telescoped together, a valve between the flask and the measure with a knob 10, a spring 9, acting on the valve, the tube 5, having scales 5^a and 5^b, the tube 11 being slotted longitudinally, a screw 3, passing through the slot and screwing through the tube 5, a removable tube 14, fitting in the tube 5 and held by the screw, a valve 15, working across the outer end of the measure, and a spring-lever 16, adapted to receive the impact of the knob 10 and engaging the valve 15, substantially as and for the purpose set forth.

DOMINIC WIGET.

In presence of—

SAML. KNIGHT,

BENJN. A. KNIGHT.